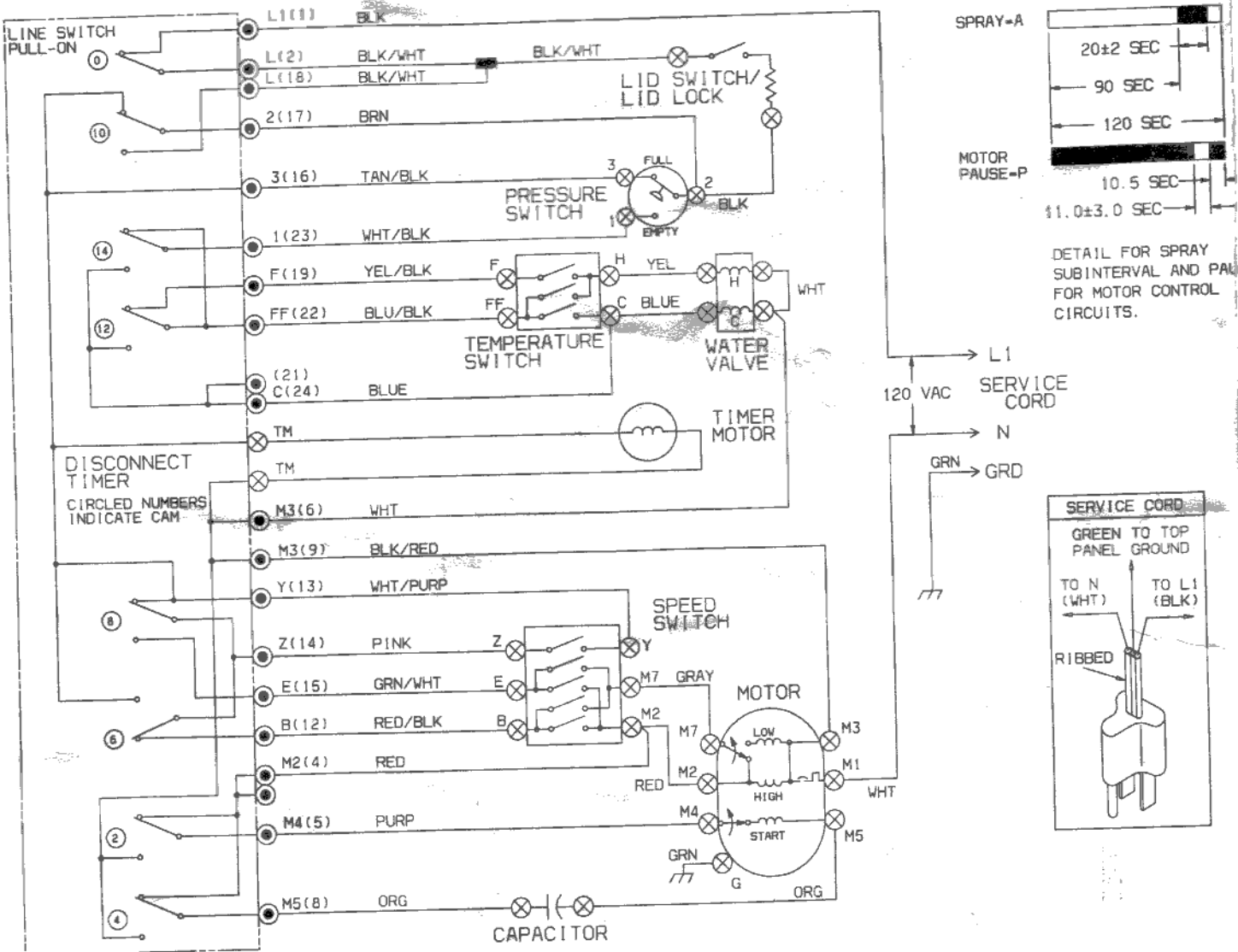
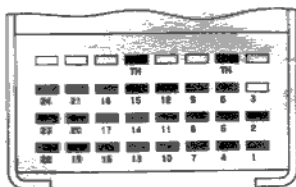
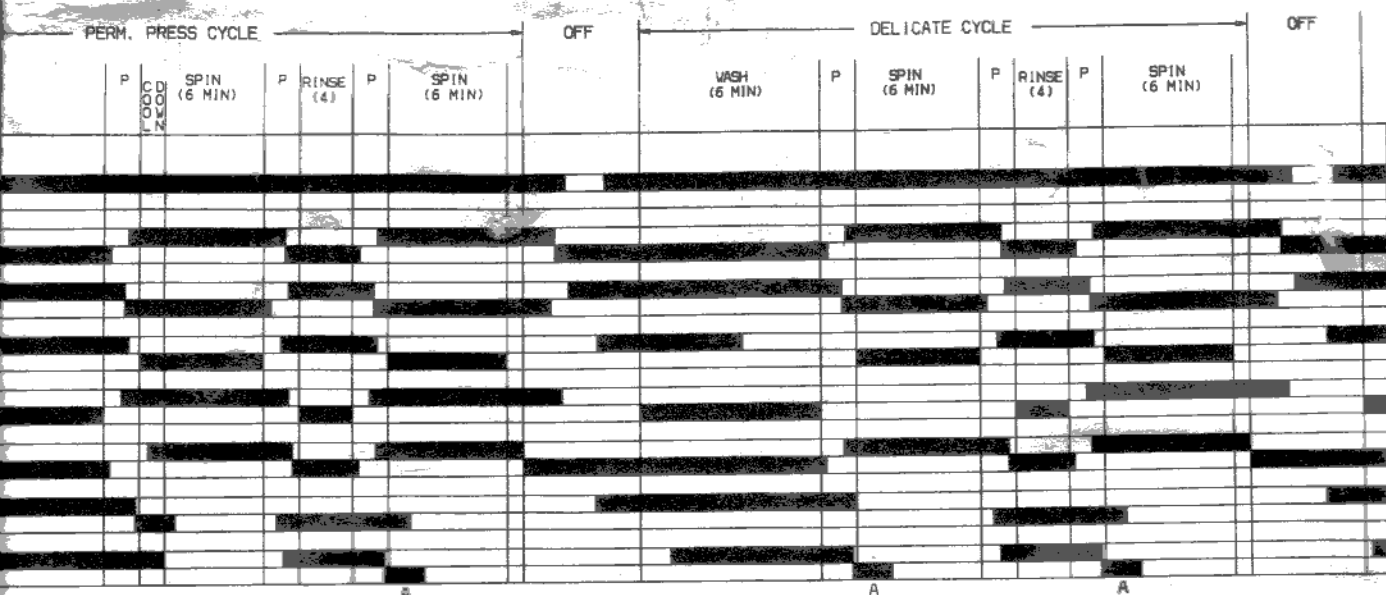


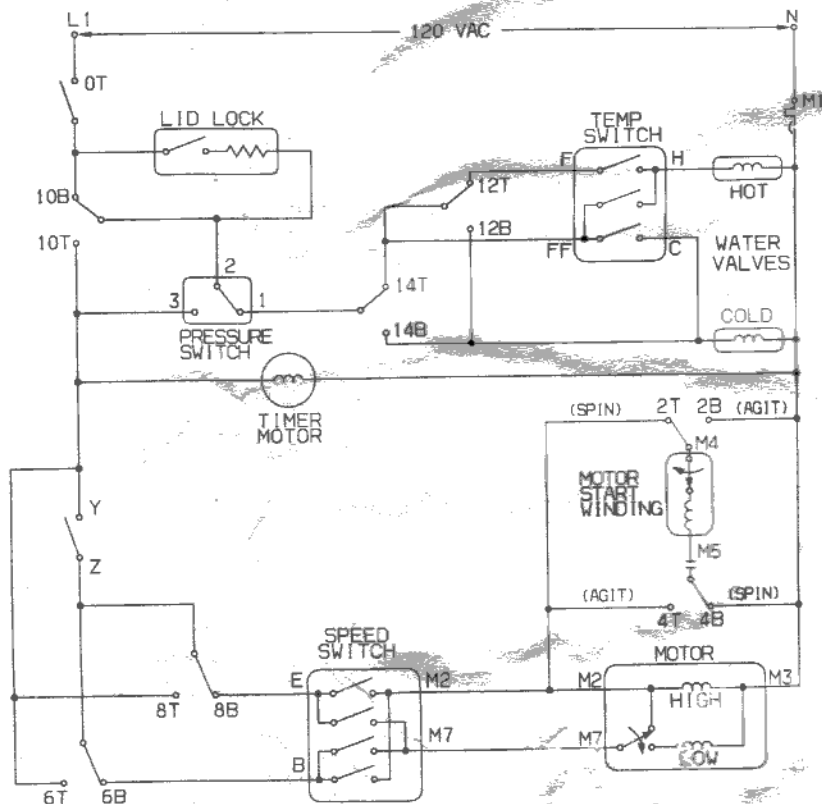
NOTE: TIME CHART BASED ON 60 HZ LINE FREQUENCY.





TIMER PLUG-MALE (END VIEW)

WIRING CODES	
	PLUG-IN TIMER TERMINAL
	QUICK DISCONNECT TERMINAL
	CONNECTION
	NO CONNECTION
	MOTOR SWITCH
	SPLICE
	MOTOR PROTECTOR
	CHASSIS (CABINET) GROUND



NOTE: SUFFIX INDICATES TIMER SWITCH CONTACTS
 T = TOP
 B = BOTTOM

SPEED SWITCH CIRCUIT					
AGIT/SPIN	E-M2	E-M7	B-M7	B-M2	Z-Y
N/N	X	0	0	X	X
N/S	X	0	X	0	X
S/S	0	X	X	0	X
SOAK	X	0	0	X	0

TEMPERATURE SWITCH CIRCUIT			
WASH/RINSE	F-H	FF-H	FF-C
HOT/COLD	X	0	0
WARM/WARM	0	X	X
COLD/COLD	0	0	X
WARM/COLD	X	0	X

0- SWITCH OPEN
 X- SWITCH CLOSED
 N- NORMAL
 S- SLOW

27" WASHER
 "C" ELECTRICAL SYSTEM
 PART NO. D148185